



H₂ Readiness Meets SMART IN FLOW CONTROL

Control Valve Solutions for Challenging Hydrogen Applications



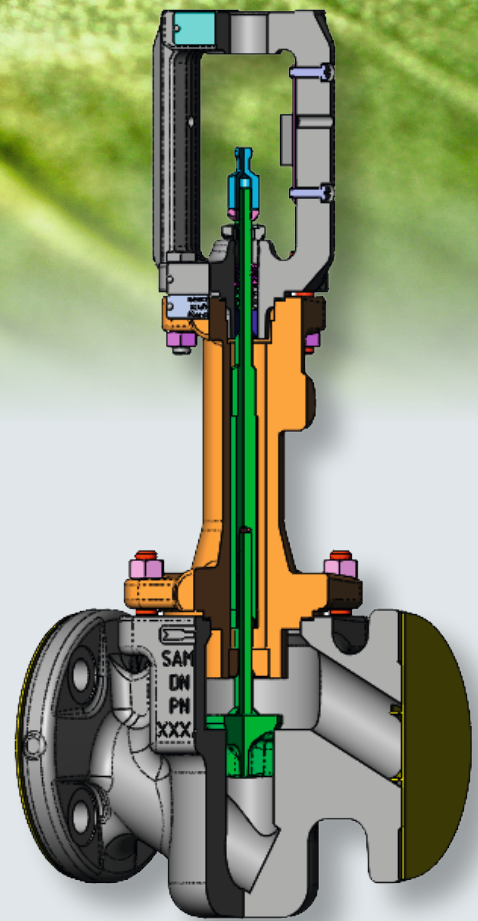
Hydrogen plays a key role in energy transition. Valves made by SAMSON are used along the entire value chain: in generation, transport, storage as well as power-to-X and various end user applications.

SAMSON has a number of products expertly optimized based on our decade-long experience in hydrogen handling. The valve designs are tailor-made for their field of application. These fields of application include hydration processes, hydrogen feeding into pipeline networks, the chemical process industry, wherever high pressure drops need to be handled and low internal and external leakage rates are required.

Selecting the right valve body material as well as the right packing system are key decisions to be made.

Options include:

- Forged or bar stock materials for optimum resistance against hydrogen embrittlement
- Valve trims compliant with leakage classes IV, V and VI acc. to DIN EN 60534-4 or ANSI FCI 70-2 to minimize seat leakage
- Sealing system compliant with ISO 15848-1 to minimize fugitive emissions



Proven equipment for low-pressure applications:
SAMSON Type 3241 Globe Valves

Technical data

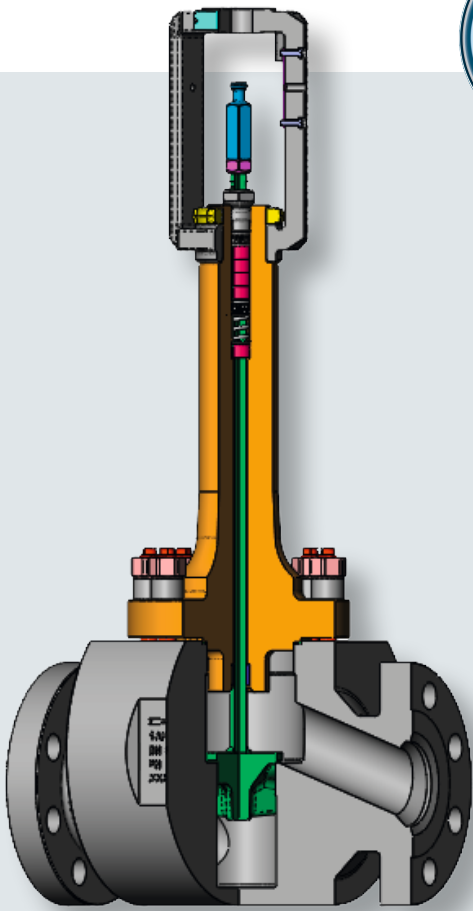
Valve sizes	DN 15, 25, 40, 50, 80 · NPS ½, 1, 1½, 2, 3
Pressure ratings	PN 16, 40 · Class 150, 300
Connections	Form D · RF, LGF, SGF
Materials	1.0460, 1.4401/1.4404 · A105, 316/316L
Temperatures	–196 to +220 °C



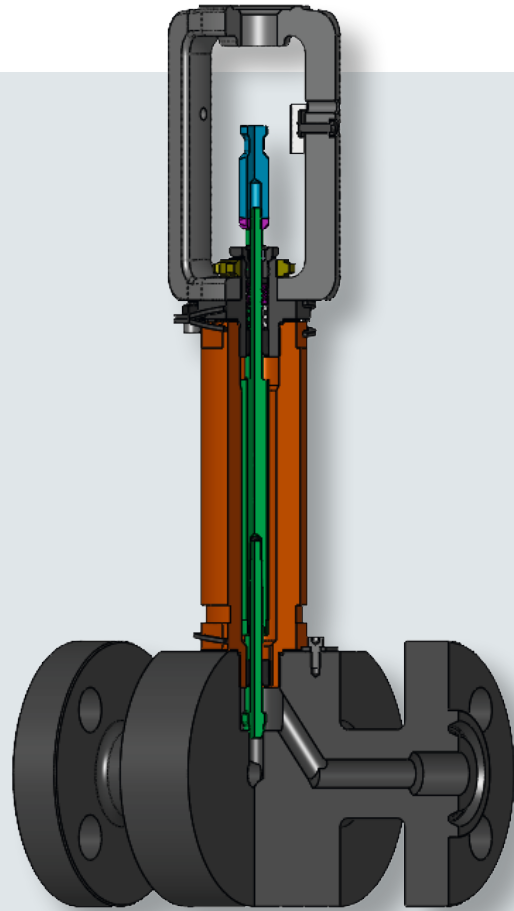


H₂ Readiness Meets SMART IN FLOW CONTROL

Control Valve Solutions for Challenging Hydrogen Applications



Large sizes for high-pressure applications:
SAMSON Type 3251 Globe Valves



Compact design for high-pressure applications:
SAMSON Type 3252 High-pressure Valves

Technical data

Valve sizes	DN 25, 40, 50, 80 · NPS 1, 1½, 2, 3
Pressure ratings	PN 63, 160 · Class 600, 900
Connections	Form D, form L · RF, RTJ, LGF, SGF
Materials	1.0460, 1.4401/1.4404 · A105, 316/316L
Temperatures	-196 to +220 °C

Technical data

Valve sizes	DN 15, 25 · NPS ½, 1
Pressure ratings	PN 40 bis 400 · Class 300 bis 2500
Connections	Form D, form L · RF, RTJ, LGF, SGF
Materials	1.0460, 1.4401/1.4404 · A105, 316/316L
Temperatures	-196 to +220 °C

All valves can be fitted with the proven SAMSON actuators, positioners and accessories.

SAMSON AKTIENGESELLSCHAFT

Weismuellerstrasse 3 · 60314 Frankfurt am Main, Germany
Phone: +49 69 4009-0 · Fax: +49 69 4009-1507
E-mail: samson@samsongroup.com
Internet: www.samsongroup.com

SMART IN FLOW CONTROL

