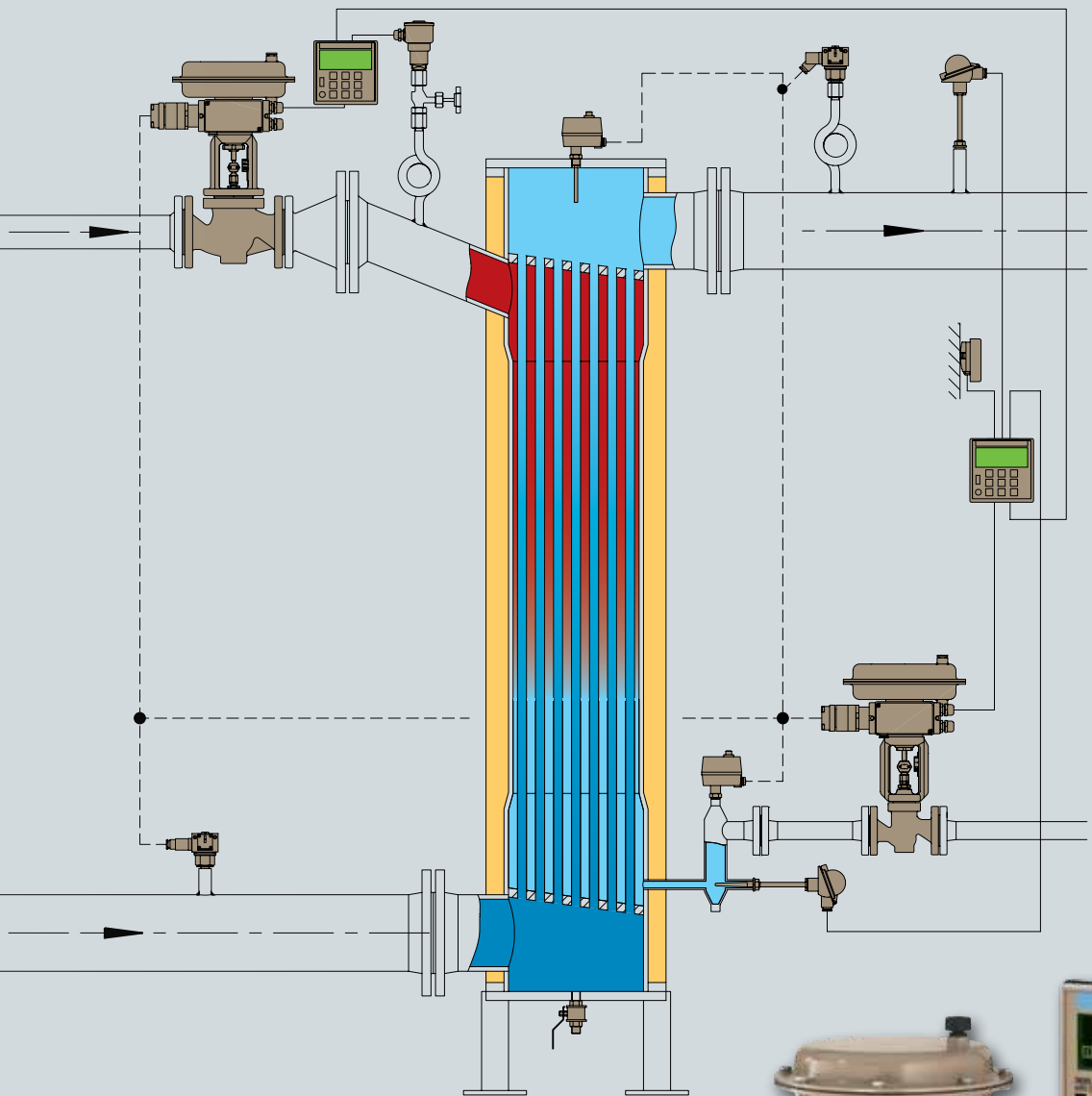
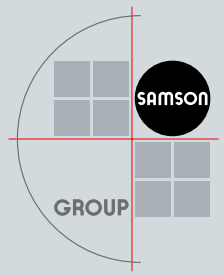


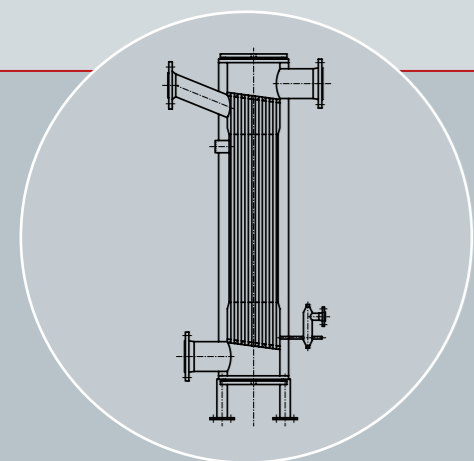
Heating Systems



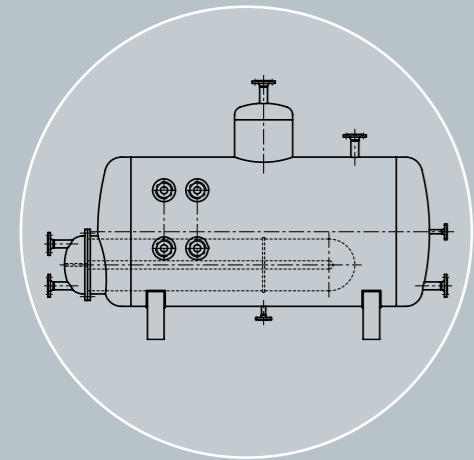
■ *Where Innovation is Tradition*



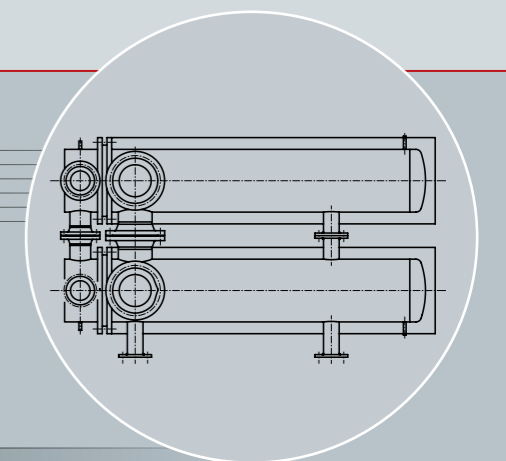
From concept to final test run



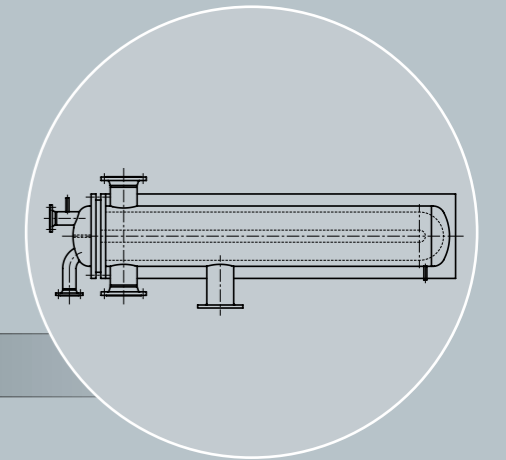
Type 130/140 Heat Exchanger



Type 207/407/307 Water Bath Vaporizer



Type 202 2/404 2 Heat Exchanger



Type 302 Heat Exchanger



In plants where maximum control accuracy over wide temperature and load ranges is a must, SAMSOMATIC's heat exchanger units are the right choice.

Based on our extensive experience gained over the years from the design, development and manufacture of optimally engineered solutions, we design and manufacture heat exchangers tailored to our customers' needs. In close cooperation with the customer, we determine the most efficient heating surface and cross-section of flow paths, optimal path of the heating fluid and material resistance.

Our comprehensive product range tailored to our customers' needs includes fast-response sensors, type-tested control valves, modern controllers and automation systems. This allows us to offer custom-made solutions to meet the specific needs of an automation task in a thermal process.

From concept to the final test run: SAMSOMATIC is the right choice. Your benefit? You invest in a future-proof solution giving you the competitive edge in your international market.



SAMSOMATIC GMBH
Weismüllerstraße 20 – 22 · 60314 Frankfurt am Main · Germany
Phone: 069 4009-0 · Fax: 069 4009-1644
E-mail: samsomatic@samsomatic.de · Internet: www.samsomatic.de
SAMSON GROUP · www.samsongroup.net