

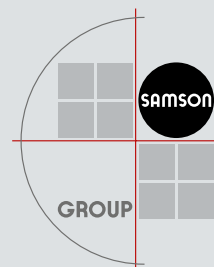
Advanced Service Solutions



SERVICE



■ *Where Innovation is Tradition*



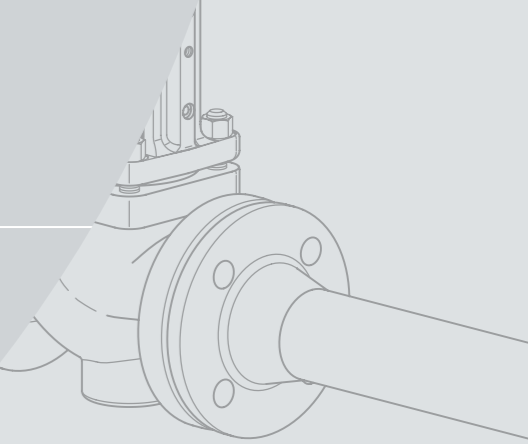
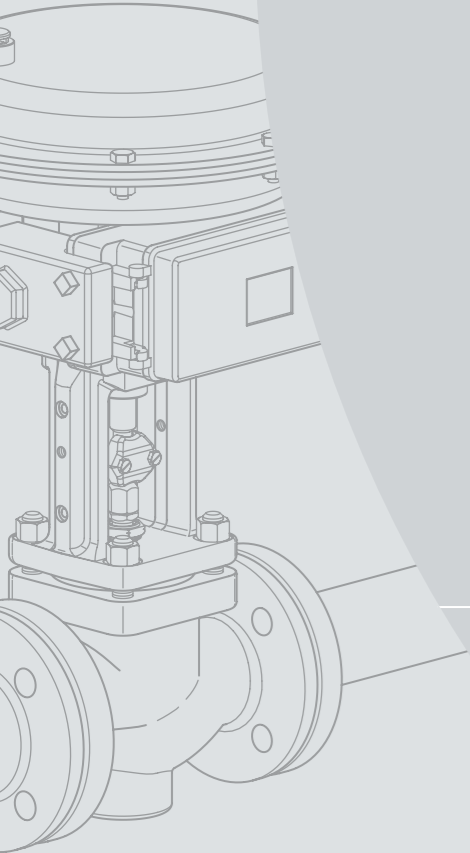
Keeping valves running for over 100 years

TROVIS SOLUTION



- Global service network in over 55 countries for fast support at the customer's, keeping plant downtime to a minimum
- Valve service and testing according to international standards in certified SAMSON workshops
- Smart engineering of critical valve applications to optimize operation and reduce life cycle costs
- Service training at specialized workshops or on the job, including training schemes tailored to our customers' needs
- Support during plant start-up by experienced SAMSON staff

- Online monitoring around the clock with SAMSON's diagnostic tools and the web-based TROVIS SOLUTION tool to provide predictive maintenance





SAMSON GROUP

Global presence, global activities

- SAMSON AKTIENGESELLSCHAFT
- AIR TORQUE S.p.A.
- CERA SYSTEM Verschleißschutz GmbH
- KT-ELEKTRONIK GmbH
- LEUSCH Industriearmaturen GmbH
- PFEIFFER Chemie-Armaturenbau GmbH
- RINGO VÁLVULAS S.L.
- SAMSOMATIC GMBH
- STARLINE S.p.A.
- VETEC Ventiltechnik GmbH



SAMSON AG · MESS- UND REGELTECHNIK
Weismüllerstraße 3 · 60314 Frankfurt am Main · Germany
Phone: +49 69 4009-1668 · Fax: +49 69 4009-1507
E-mail: service@samson.de · Internet: www.samson.de
SAMSON GROUP · www.samsongroup.net