

## T 7420 EN

### Type 7420 Gateway Housing for the SAM MOBILE Gateway

#### Application

Enclosure (empty) to increase the IP rating of the SAM MOBILE Gateway

The Type 7420 Gateway Housing enables the SAM MOBILE Gateway to be installed in harsh industrial environments.

#### Special features

- Rugged design
- IP 54 (higher degree of protection on request)
- Protection against contact
- Protection against dust and splashing water
- Lightweight polystyrene enclosure, suitable for wall mounting
- Transparent cover for visible diagnosis and status reading of SAM MOBILE Gateway and Modbus I/O module

#### Polystyrene enclosure ready fitted with:

- 1x circuit breaker
- 2x 35 mm rail
- Terminal strip to connect sensor lines
- 2x M20 cable glands
- 2x M20 cable glands (splittable)
- Flexible wiring duct

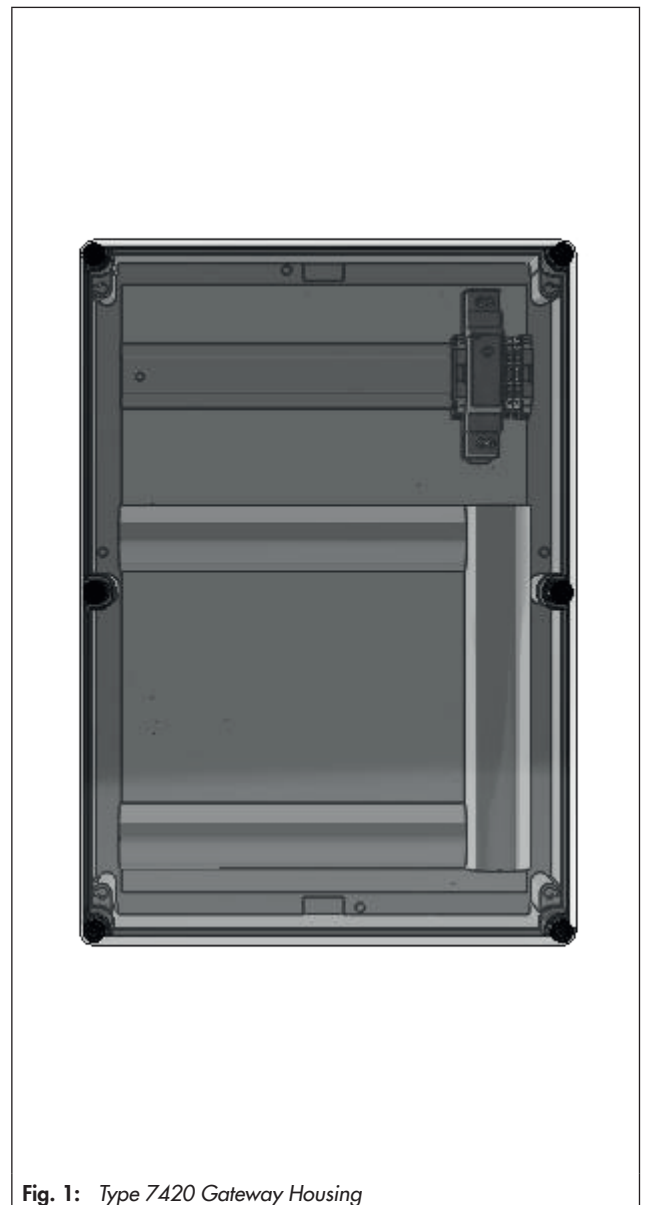
#### Design and principle of operation

The Type 7420 Gateway Housing is an accessory for the SAM MOBILE Gateway. The enclosure increases the IP rating of the product to IP 54.

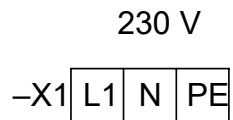
As a result, the SAM MOBILE Gateway is fully protected against contact. It is also dust protected and is protected against water splashing from any direction.

#### Mounting

The gateway housing is designed for mounting on walls. A set of fixing clamps (included in the scope of delivery) are available to mount the enclosure.



## Electrical connection



**Fig. 2:** Electrical connection of Type 7420 Gateway Housing

Refer to the mounting and operating instructions (see "Associated documentation" on page 6) for all further electrical connections.

## Technical data

**Table 1:** Technical data · Type 7420

Type 7420 Gateway Housing	
Supply voltage	85 to 250 V AC
Power consumption	Approx. 10 VA
Permissible temperature range (operation)	0 to 50 °C
Relative humidity	Max. 95 %, non-condensing
Degree of protection	IP 54 according to EN 60529
Class of protection	II according to EN 61140:2003
Enclosure material	Polystyrene
Weight	Approx. 3 kg

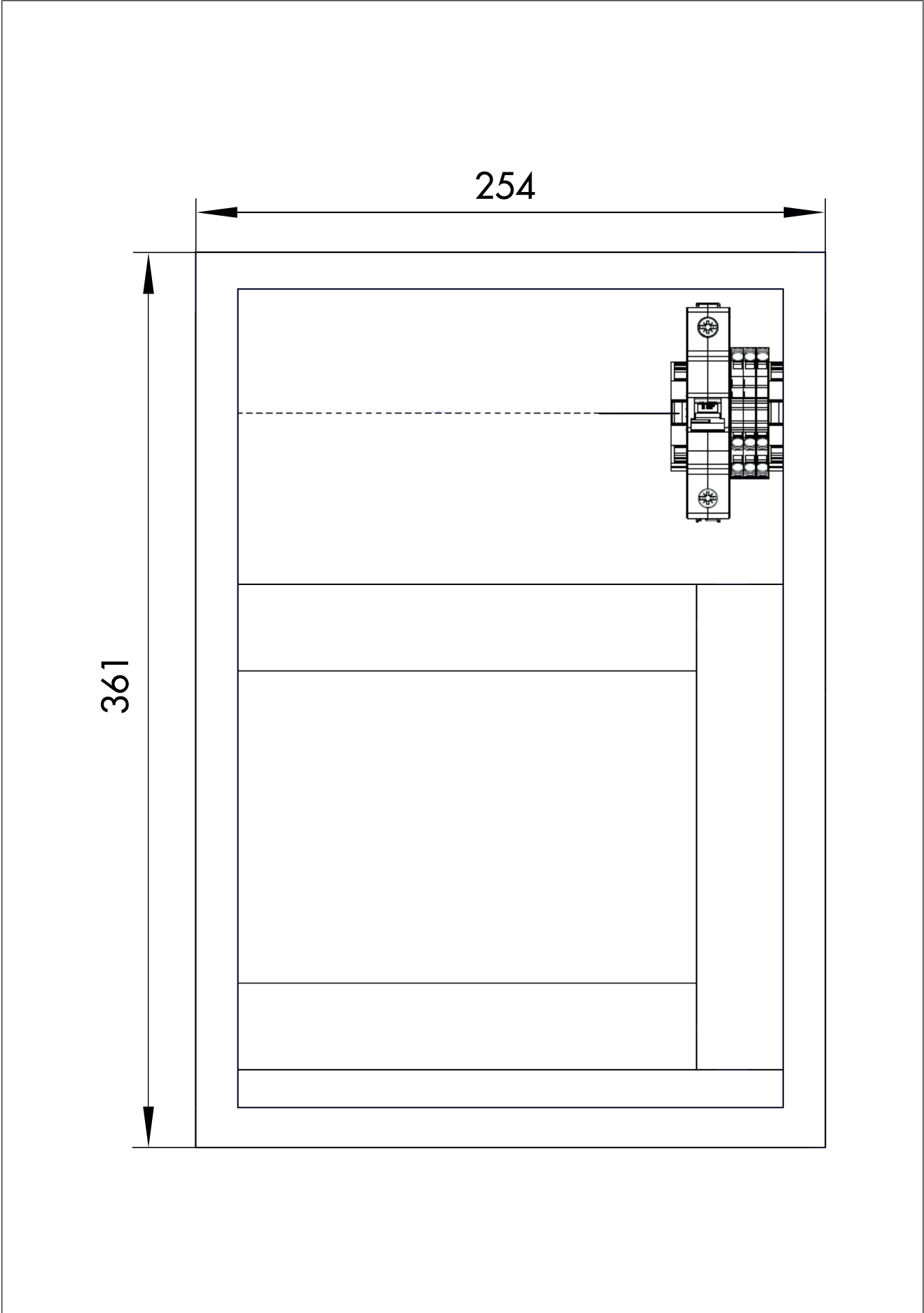
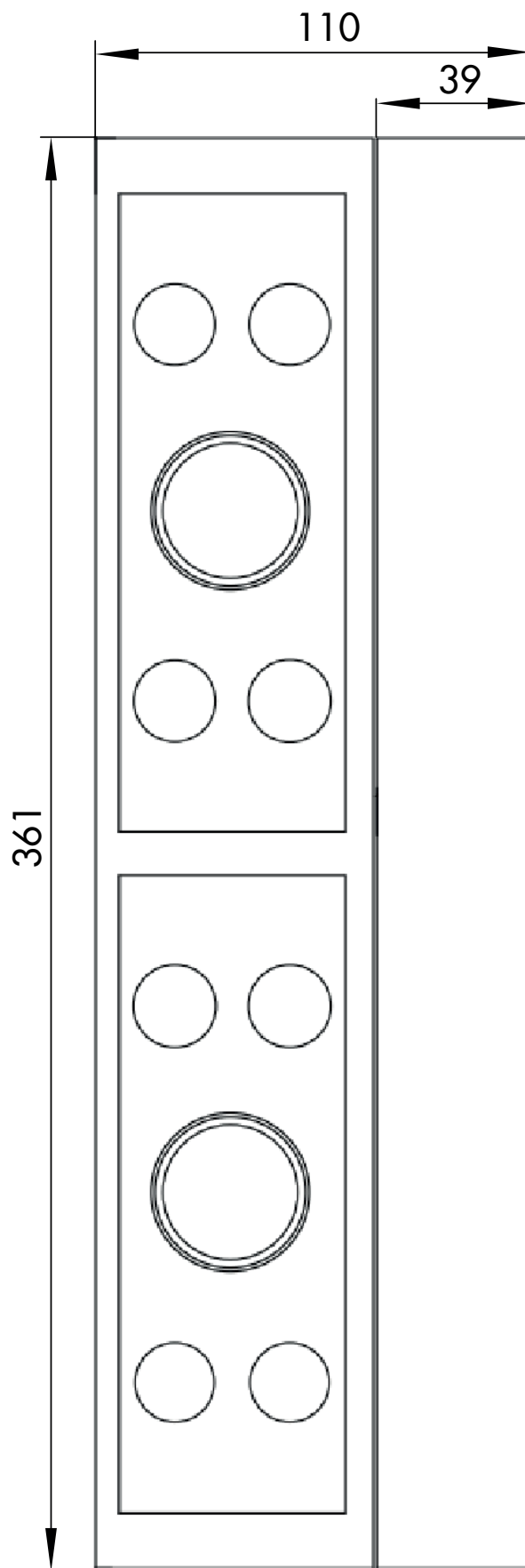


Fig. 3: Dimensions in mm · Front view of Type 7420



**Fig. 4:** Dimensions in mm · Side view of Type 7420

**Ordering text**

Type 7420 Gateway Housing for SAM MOBILE Gateway

#### **Associated documentation**

- Mounting and operating instructions for SAM MOBILE Gateway ▶ **EB 5655**