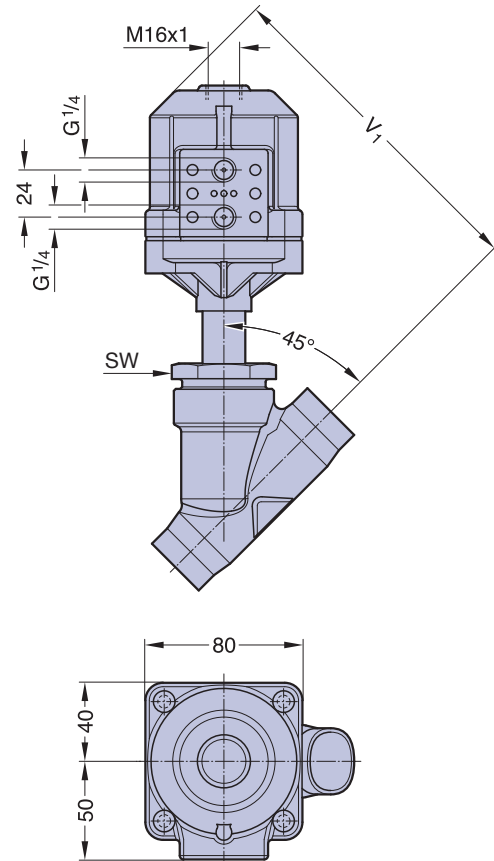


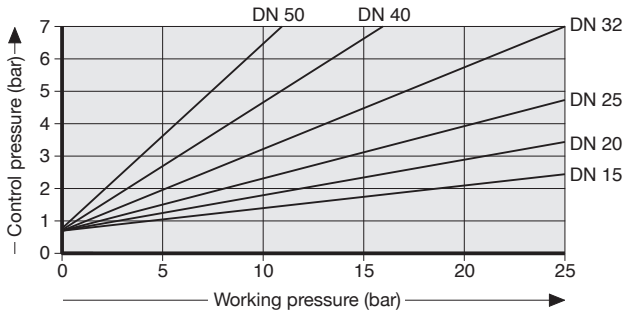
Type 584, Actuator 70 and Actuator 71



Namur-Flange
The threaded
bushing
024.583.001 for
the valve mount-
ing necessary
is available on
request.



Actuator 70 (NO), flow below the seat



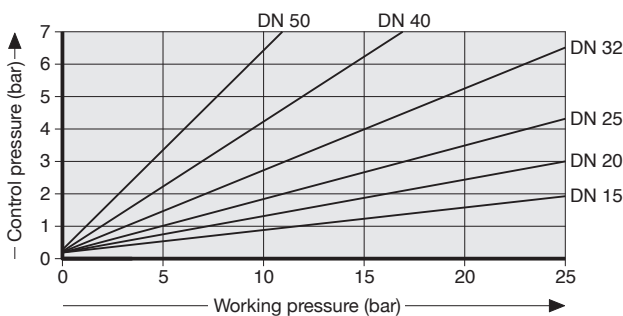
Measurement and weight table Actuator type 70 and 71

DN	SW	V ₁	Total weight ca. (kg)
15	36	162	1,2
20	41	173	1,3
25	46	173	1,6
32	55	179	2,1
40	60	185	2,2
50	75	192	3,2

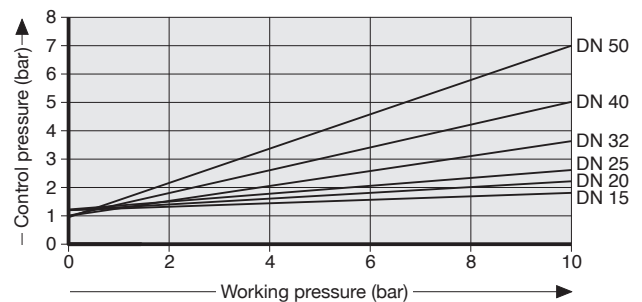
Valve body types see page 115 - 117

Control equipment and accessories see page 132 - 139

Actuator 70 (DA), flow below the seat



Actuator 71 (NC), flow above the seat



Working pressure normally closed (Cf. 1), flow below the seat as well as Working terms, see table page 101.
All pressures are gauge pressures.

Ordering key and cut view see page 118 and 119.