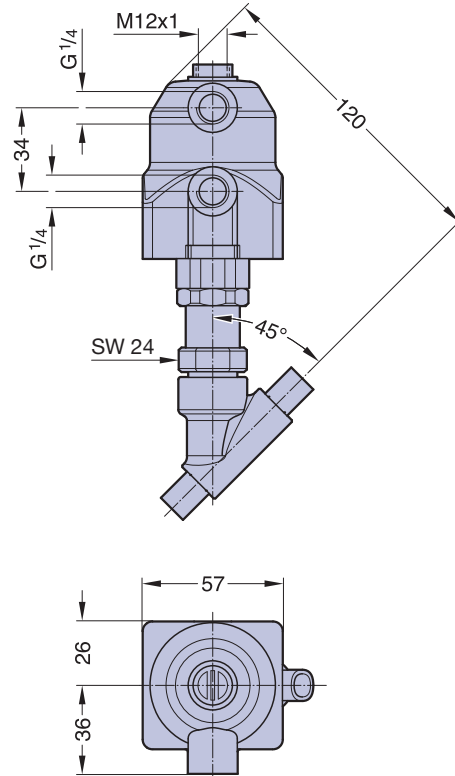


Type 584, Actuator 43

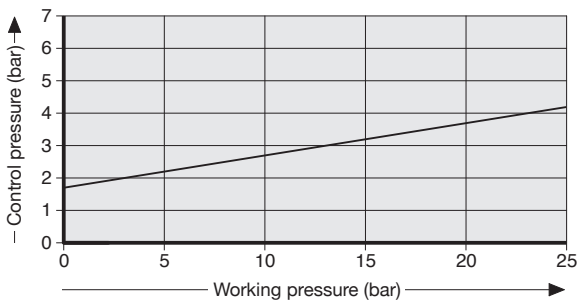


Weight ca. 0,7 kg

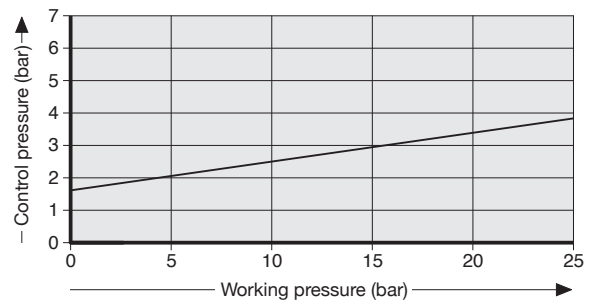
Valve body types see page 115 - 117

Control equipment and accessories see page 132 - 139

Actuator 43 (NO), flow below the seat



Actuator 43 (DA), flow below the seat



Working pressure normally closed (Cf. 1), flow below the seat as well as Working terms, see table page 101.
All pressures are gauge pressures.

Ordering key and cut view see page 118 and 119.