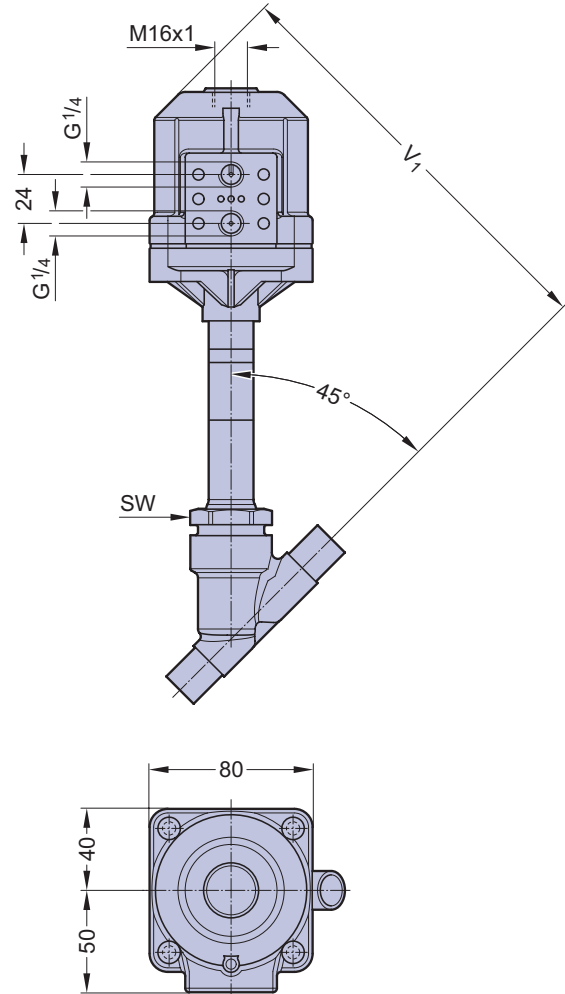


Type 582, Actuator 70



Advantages:

- Hygienic design, easy cleaning
- High temperature resistance
- Stainless steel below
- Minimized dead leg design
- Easy maintenance
- Good regulation properties
- Clean and smooth exterior for sterile washdowns
- Regulating cone

Specific application:

- Pure or clean steam and gaseous media

Measurement and weight table Actuator type 125

DN	SW	V ₁	Total weight ca. (kg)
15	36	209	1,8
20	41	209	2,2
25	46	209	2,8

Valve body types see page 115 - 117

Control equipment and accessories see page 132 - 139

Ordering key see page 118 and 119.